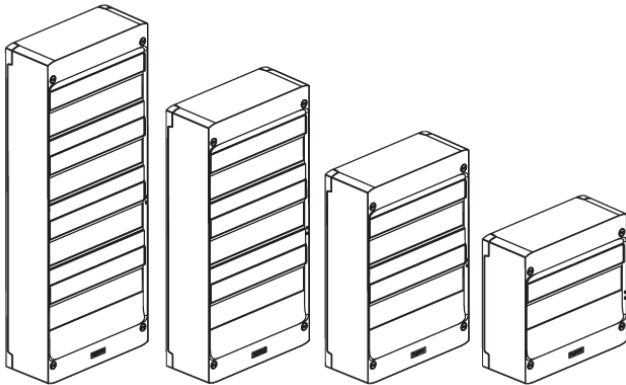


DRIVIA cabinets

Catalogue number(s):

4 012 11/12/13/14/16/17/18/19/21/22/23/24

4 013 11/12/13/14/21/22/23/24/61/62/63/64 - 0 930 20/21/22/23



CONTENTS PAGES

| | |
|--|---------|
| 1. Description, use..... | 1 |
| 2. Range, Cat. No. equivalence table...1 | |
| 3. Dimensions..... | 1 |
| 4. General characteristics..... | 2 |
| 5. Compliance and Approvals..... | 2 |
| 6. Equipment supplied..... | 3 |
| 7. Installation accessories..... | 3-4-5-6 |

1. DESCRIPTION, USE

Cabinets with rows of 13 or 18 modules compliant with regulations governing public buildings and high-rise buildings in accordance with standard EN 60695-2-11. Conform to IEC 60670-24 and IEC 62 208. For the production of assemblies certified according to IEC 61 439-3. Can be mounted on housing service ducts or wall-mounted. Adjustable and removable rails. Space under rails: 40 mm Distance between rails: 125 mm

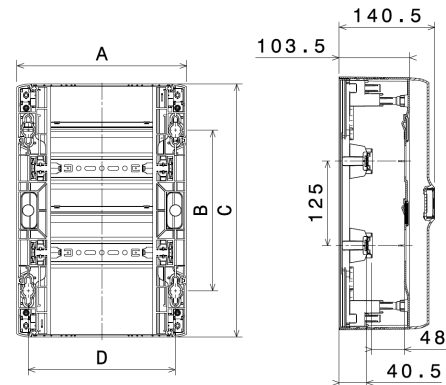
2. RANGE, CAT. NO. EQUIVALENCE TABLE

| DRIVIA Cat. No. | Number of rows | Number of modules | Ekinoxe Cat. No. |
|-----------------|----------------|-------------------|------------------|
| 4 012 11 | 1 | 13 | 0 012 11 |
| 4 012 12 | 2 | 26 | 0 012 12 |
| 4 012 13 | 3 | 39 | 0 012 13 |
| 4 012 14 | 4 | 52 | 0 012 14 |
| 4 012 16 | 1 | 13 | 0 012 16 |
| 4 012 17 | 2 | 26 | 0 012 17 |
| 4 012 18 | 3 | 39 | 0 012 18 |
| 4 012 19 | 4 | 52 | 0 012 19 |
| 4 012 21 | 1 | 18 | - |
| 4 012 22 | 2 | 36 | - |
| 4 012 23 | 3 | 54 | - |
| 4 012 24 | 4 | 72 | - |
| 4 013 11 | 1 | 13 | 0 013 11 |
| 4 013 12 | 2 | 26 | 0 013 12 |
| 4 013 13 | 3 | 39 | 0 013 13 |
| 4 013 14 | 4 | 52 | 0 013 14 |
| 4 013 21 | 1 | 13 | 0 013 21 |
| 4 013 22 | 2 | 26 | 0 013 22 |
| 4 013 23 | 3 | 39 | 0 013 23 |
| 4 013 24 | 4 | 52 | 0 013 24 |
| 4 013 61 | 1 | 13 | 0 013 61 |
| 4 013 62 | 2 | 26 | 0 013 62 |

| DRIVIA Cat. No. | Number of rows | Number of modules | Ekinoxe Cat. No. |
|-----------------|----------------|-------------------|------------------|
| 4 013 63 | 3 | 39 | 0 013 63 |
| 4 013 64 | 4 | 52 | 0 013 64 |
| 0 930 20 | 1 | 13 | 0 927 17 |
| 0 930 21 | 2 | 26 | 0 927 18 |
| 0 930 22 | 3 | 39 | 0 927 19 |
| 0 930 23 | 4 | 52 | 0 927 30 |

3. DIMENSIONS

13/18-module cabinets



| | | Dimensions (mm) | | | |
|----------|--|-----------------|-----|-----|-----|
| Cat. No. | | A | B | C | D |
| 13 M | 4 012 11/16 - 0 930 20 4 013 11/21/61 | 250 | 113 | 250 | 217 |
| | 4 012 12/17 - 0 930 21 4 013 12/22/62 | 250 | 238 | 375 | 217 |
| | 4 012 13/18 - 0 930 22 4 013 13/23/63 | 250 | 363 | 500 | 217 |
| | 4 012 14/19 - 0 930 23 4 013 14/24/64 | 250 | 488 | 625 | 217 |
| 18 M | 4 012 21 | 355 | 113 | 250 | 322 |
| | 4 012 22 | 355 | 238 | 375 | 322 |
| | 4 012 23 | 355 | 363 | 500 | 322 |
| | 4 012 24 | 355 | 488 | 625 | 322 |

4. GENERAL CHARACTERISTICS

4.1 Technical characteristics

- . Cover colour: White RAL 9003
- . Door colour: White RAL 9003 or transparent
- . Protection index: IP30 – IK05 without door
IP40 – IK07 with door
- . Self-extinguishing: 750°C (public buildings)
- . Insulated backplate for Cat. Nos.
4 012 16/17/18/19 – 4 013 21/22/23/24
- . Double insulation possible with insulated backplate (other Cat. Nos.)
- . Rated operating voltage: 400V AC – 50/60 Hz
- . Rated insulation voltage: 400V AC – 50/60 Hz
- . Rated impulse withstand voltage: Uimp = 6kV
- . Short-circuit current: 10 kA
- . Storage and installation temperature:
-20°C to + 70°C
- . Operating temperature: -10°C to + 40°C
- . Max. permissible current:
4 012 11/16 - 0 930 20 : 60A
4 013 11/21/61 : 60A
4 012 12/13/14/17/18/19/21/22/23/24 : 90A
0 930 21/22/23 : 90A
4 013 12/13/14/22/23/24/62/63/64 : 90A
- . Permissible loads : 40N per row
- . Power dissipation:

| | 13 modules | 18 modules |
|--------|------------|------------|
| 1 row | 27 W | 28 W |
| 2 rows | 35 W | 45 W |
| 3 rows | 52 W | 67 W |
| 4 rows | 57 W | 91 W |

- . Cover plastic screws service torque : 2Nm

4.2 Materials

- . Cover, frame: high impact polystyrene
- . Door: polycarbonate
- . Handle: ABS + chrome
- . Labelling strip: polycarbonate
- . Rail supports: glass fibre filled polycarbonate
- . Cover screws: glass fibre filled polycarbonate
- . Rails: galvanised steel
- . Door release: polyamide
- . Hinge: polypropylene
- . Joining kit: glass fibre filled polycarbonate
- . Document holder: high impact polystyrene

4.3 Terminal block capacity

| Cat. No. | Earth terminal block | | Ph + N terminal block | |
|----------------------|---------------------------|----------------------------|----------------------------|---------------------------|
| | Cage terminals | Automatic terminals | Screw terminals | |
| | 6 - 25 (mm ²) | 1.5 - 4 (mm ²) | 10 - 35 (mm ²) | 6 - 25 (mm ²) |
| 4 012 11 0 930 20 | 5 | 9 | - | - |
| 4 012 12 0 930 21 | 5 | 18 | 1 | 5 |
| 4 012 13 0 930 22 | 5 | 27 | 1 | 5 |
| 4 012 14 0 930 23 | 5 | 27 | 1 | 5 |
| 4 012 21 | 5 | 27 | - | - |
| 4 012 22 | 5 | 27 | 1 | 5 |
| 4 012 23 | 5 | 36 | 1 | 5 |
| 4 012 24 | 5 | 45 | 1 | 5 |
| 4 012 16 | 5 | 9 | - | - |
| 4 012 17 | 5 | 18 | - | - |
| 4 012 18 | 5 | 27 | - | - |
| 4 012 19 | 5 | 27 | - | - |

| Cat. No. | Earth terminal block | | Neutral terminal block | |
|-------------|---------------------------|-----------------------------|---------------------------|-----------------------------|
| | Screw terminals | | Screw terminals | |
| | 6 - 25 (mm ²) | 1.5 - 16 (mm ²) | 6 - 25 (mm ²) | 1.5 - 16 (mm ²) |
| 4 013 11 | 1 | 12 | - | - |
| 4 013 12 | 1 | 21 | - | - |
| 4 013 13/14 | 1 | 26 | - | - |
| 4 013 21 | 1 | 12 | 1 | 12 |
| 4 013 22 | 1 | 16 | 1 | 16 |
| 4 013 23 | 1 | 21 | 1 | 21 |
| 4 013 24 | 1 | 26 | 1 | 26 |
| 4 013 61 | 1 | 12 | 1 | 12 |
| 4 013 62 | 1 | 21 | 1 | 21 |
| 4 013 63/64 | 1 | 26 | 1 | 26 |

Additional terminal blocks (see section 7.3, page 4)

4.4 Number of blanking plates

| Cat. No. | 5 modules | 13 modules |
|----------------------------|-----------|------------|
| 4 012 11/16/21 0 930 20 | 1 | - |
| 4 012 12/17/22 0 930 21 | 2 | - |
| 4 012 13/18/23 0 930 22 | 1 | 1 |
| 4 012 14/19/24 0 930 23 | 2 | 1 |
| 4 013 11/21/61 | 1 | - |
| 4 013 12/22/62 | 2 | - |
| 4 013 13/23/63 | 2 | 1 |
| 4 013 14/24/64 | 2 | 1 |

5. COMPLIANCE AND APPROVALS

IEC 60670-24
IEC 62 208
NF C61-910
IEC 60695-2-11
RoHS
WEEE
REACH
PEP sheet
NF

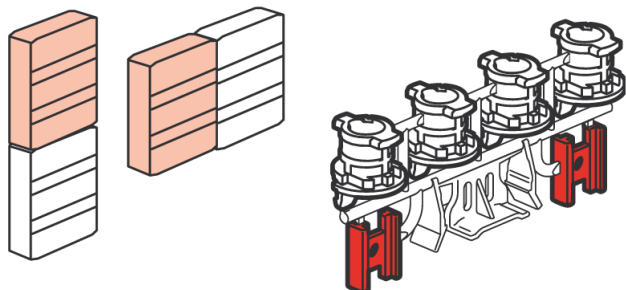
6. EQUIPMENT SUPPLIED

Cat. Nos. - 4 012 11/12/13/14/16/17/18/19/21/22/23/24
0 930 20/21/22/23

6.1 Joining

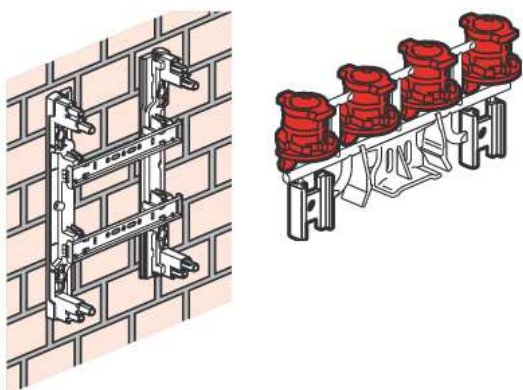
1 joining kit supplied per cabinet

- Vertical and horizontal joining

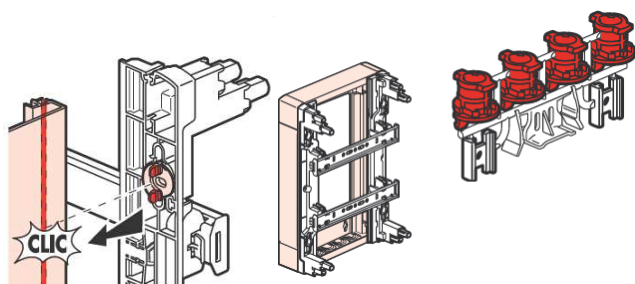


6.2 Fixing

- Fixing on any type of wall (adjustment of drilling error)

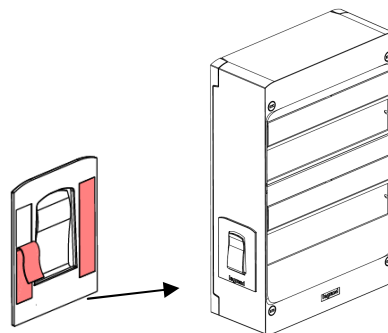


- Fixing on service duct with spacer



6.3 Adhesive document holder

Cat. Nos. - 4 012 11/12/13/14/16/17/18/19/21/22/23/24
0 930 20/21/22/23

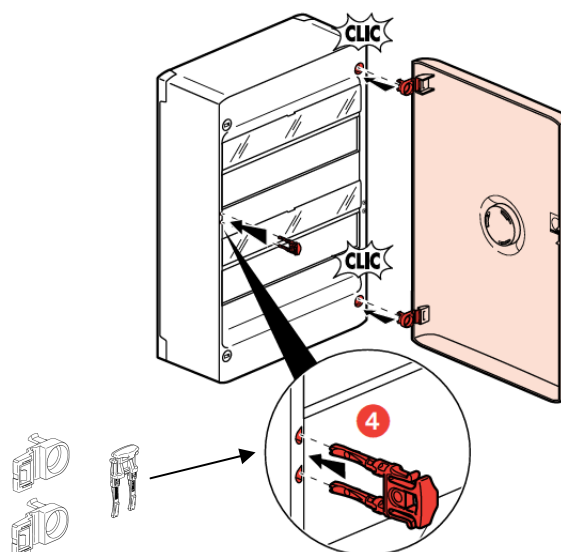


7. INSTALLATION ACCESSORIES

7.1 White or transparent doors

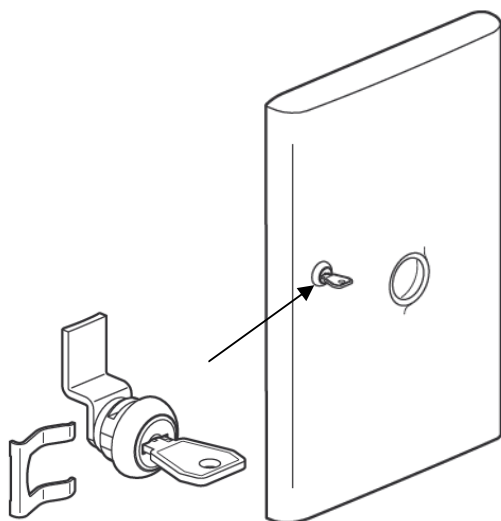
| | White doors | Transparent doors |
|-------------|-------------|-------------------|
| 1R 13M | 4 013 31 | 4 013 41 |
| 2R 13M | 4 013 32 | 4 013 42 |
| 3R 13M | 4 013 33 | 4 013 43 |
| 4R 13M | 4 013 34 | 4 013 44 |
| 1R 18M | 4 012 31 | 4 012 41 |
| 2R 18M | 4 012 32 | 4 012 42 |
| 3R 18M | 4 012 33 | 4 012 43 |
| 4R 18M | 4 012 34 | 4 012 44 |
| 1R 13M DIY* | 0 93 030 | - |
| 2R 13M DIY | 0 93 031 | - |
| 3R 13M DIY* | 0 93 032 | - |
| 4R 13M DIY* | 0 93 033 | - |

* DIY: Do-It-Yourself Distribution
Door thickness: 37 mm



7. INSTALLATION ACCESSORIES (continued)

7.2 Key lock Cat. No. 4 013 91



7.3 Additional terminal blocks

IP 2X automatic connection earth terminal block for 13-module cabinet: Cat. No. 4 050 55
(capacity: 5x6 for 25 mm² + 27x1.5 for 4 mm²)

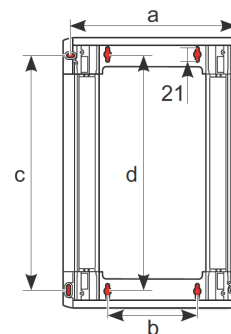
IP 2X automatic connection earth terminal block for 18-module cabinet: Cat. No. 4 050 57
(capacity: 5x6 for 25 mm² + 45x1.5 for 4 mm²)

IP 2X screw earth terminal block for 13-module cabinet:
Cat. No. 4 048 39
(capacity: 1x6 for 25 mm² + 26x1.5 for 16 mm²)

IP 2X 3-pole + neutral insulated terminal block for 13-module cabinet: Cat. No. 4 048 14
(1 neutral 1x4 for 25 mm² + 12x1.5 for 16 mm²) + (3 phases 4x1.5 for 16 mm²)

Support for additional terminal block for 13-module cabinet:
Cat. No. 4 048 18
28-hole empty support for unprotected screw terminal blocks and for IP2 terminal blocks.

7.4 Spacers (depth 50 mm)



Spacer for 13-module cabinets

| | | | | |
|----------|----------|----------|----------|----------|
| | | | | |
| Cat. No. | 4 013 71 | 4 013 72 | 4 013 73 | 4 013 74 |
| a | 236 | 236 | 236 | 236 |
| b | 126 | 126 | 126 | 126 |
| c | 201 | 326 | 451 | 576 |
| d | 204 | 329 | 454 | 579 |

Spacer for 18-module cabinets

| | | | | |
|----------|----------|----------|----------|----------|
| | | | | |
| Cat. No. | 4 012 71 | 4 012 72 | 4 012 73 | 4 012 74 |
| a | 341 | 341 | 341 | 341 |
| b | 231 | 231 | 231 | 231 |
| c | 201 | 326 | 451 | 576 |
| d | 204 | 329 | 454 | 579 |

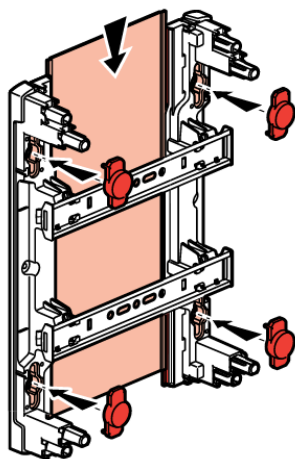
Spacer for 13-module cabinets + mounting plate

| | | | | |
|------|----------|----------|----------|----------|
| | | | | |
| Réf. | 4 013 81 | 4 013 82 | 4 013 83 | 4 013 84 |
| a | 233 | 233 | 233 | 233 |
| b | 126 | 126 | 126 | 126 |
| c | 426 | 551 | 676 | 801 |
| d | 429 | 554 | 679 | 804 |

7. INSTALLATION ACCESSORIES (continued)

7.5 Backplates supplied with caps to ensure double insulation

| | Cabinet Cat. No. | Backplate Cat. No. |
|-----|------------------------|--------------------|
| 13M | 4 012 11/16 | 4 013 51 |
| | 4 013 11/61 - 0 930 20 | |
| | 4 012 12/17 | 4 013 52 |
| | 4 013 12/62 - 0 930 21 | |
| 18M | 4 012 13/18 | 4 013 53 |
| | 4 013 13/63 - 0 930 22 | |
| | 4 012 14/19 | 4 013 54 |
| | 4 013 14/64 - 0 930 23 | |
| 18M | 4 012 21 | 4 012 51 |
| | 4 012 22 | 4 012 52 |
| | 4 012 23 | 4 012 53 |
| | 4 012 24 | 4 012 54 |



7.6 Mounting plates for subscriber headline MCCB

Conforming to NF C 61-910

For circuit-breaker only: Cat. No 4 011 91

For circuit-breaker and 3-phase electronic meter:
Cat. No. 4 011 83

Compliant with HN 62-S-80 specifications

For circuit-breaker and single-phase electronic meter:
Cat. No. 4 011 81

Compliant with ERDF-CPT-M&S Spe-10015A specifications

7.7 White RAL 9003 blanking plates

Can be separated for each module or half-module

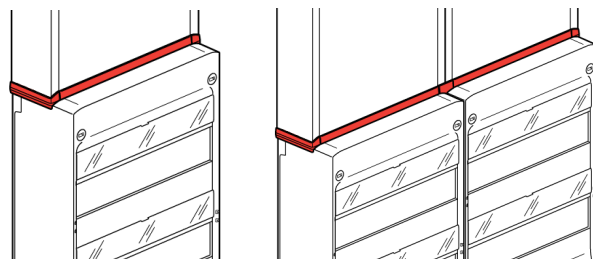
5 modules: Cat. No. 0 016 60

13 modules: Cat. No. 0 016 62

18 modules: Cat. No. 0 016 64

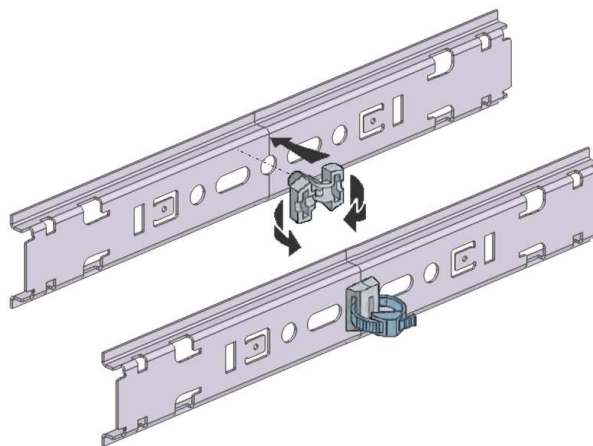
7.8 Finishing kit for cabinets mounted on housing service duct Cat. No. 4 013 94

For 13 and 18-module cabinets and service ducts



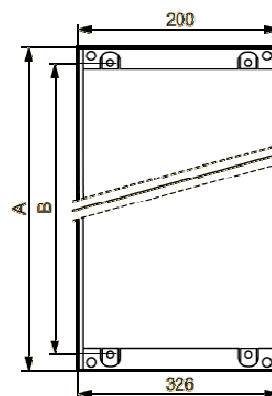
7.9 Locking clip

Locking clip for fixing cable ties to a rail: Cat. No 0 319 78



Functional earth connection

7.10 Covers for consumer unit (depth 126 mm)



| Cat. No. | A | B |
|----------|-----|-----|
| 4 013 85 | 526 | 502 |
| 4 013 86 | 651 | 627 |
| 4 013 87 | 776 | 752 |

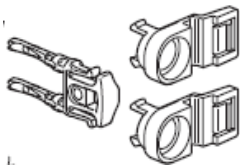
7. INSTALLATION ACCESSORIES (continued)

7.11 Adhesive document holder Cat. No. 4 013 89



7.12 Spare parts

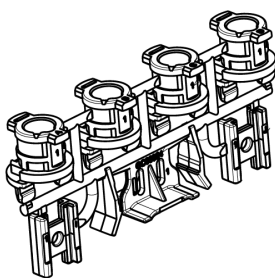
- Hinge and door release kit Cat. No. 9 803 74



- Pack of 20 cover screws Cat. No. 9 803 75



- Fixing kit Cat. No. 9 803 76



- Rail supports kit Cat. No. 9 803 77

